

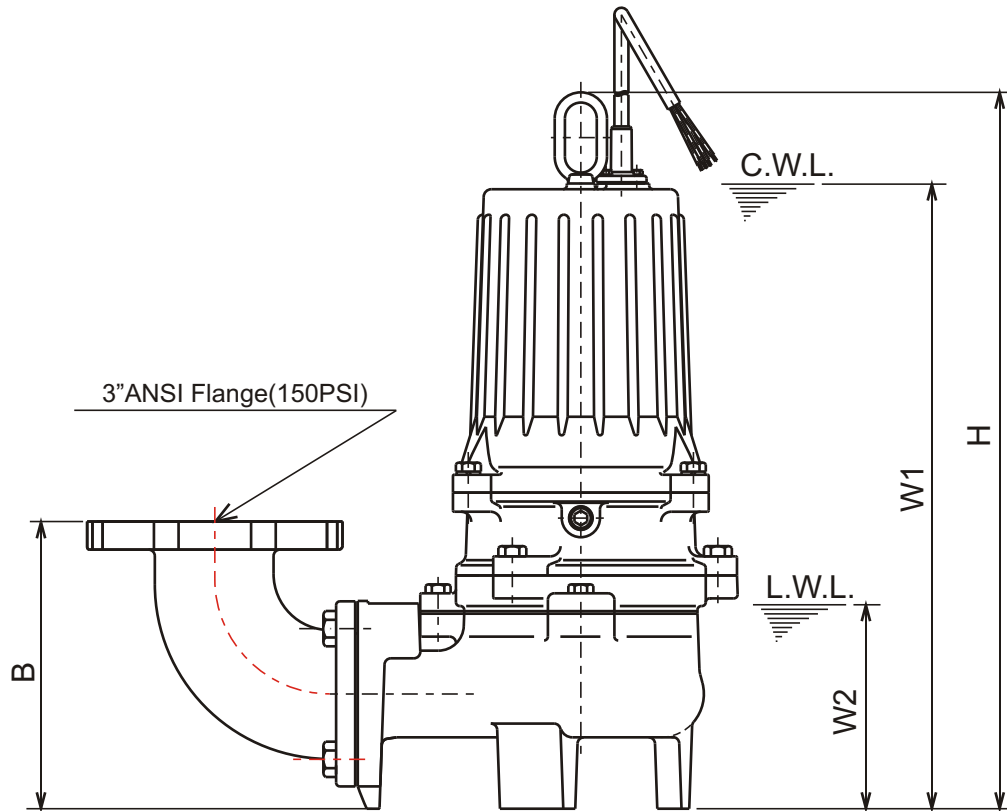
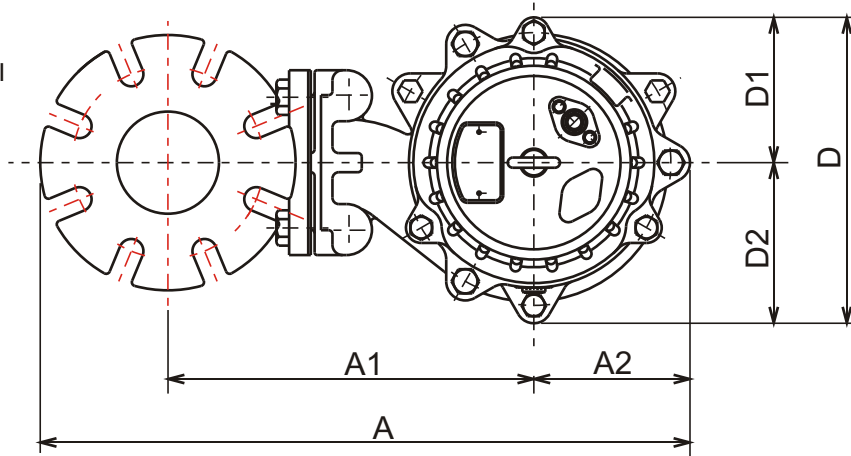


U - SERIES
SEMI - VORTEX - SEWAGE & WASTEWATER PUMPS

DIMENSIONS

Bend model:
BEND80-80 ANSI

80U22.2-62



C.W.L. : Continuous running Water Level
L.W.L. : Lowest running Water Level

DIMENSIONS :USCS (Inch)

Model	HP	NOM. SIZE	Pump & Motor								C.W.L. W1	L.W.L. W2	*Wt. (lbs.)
			A	A1	A2	B	D	D1	D2	H			
80U22.2-62	3	3"	20 1/2	11 11/16	4 13/16	8 7/8	9 7/16	4 1/2	4 15/16	22 1/8	19 1/4	6 1/4	117

DIMENSIONS :METRIC (m m)

Model	kW	NOM. SIZE	Pump & Motor								C.W.L. W1	L.W.L. W2	*Wt. (kg)
			A	A1	A2	B	D	D1	D2	H			
80U22.2-62	2.2	80	520	297	123	225	240	114	126	562	490	160	53

*Excluding Cable.